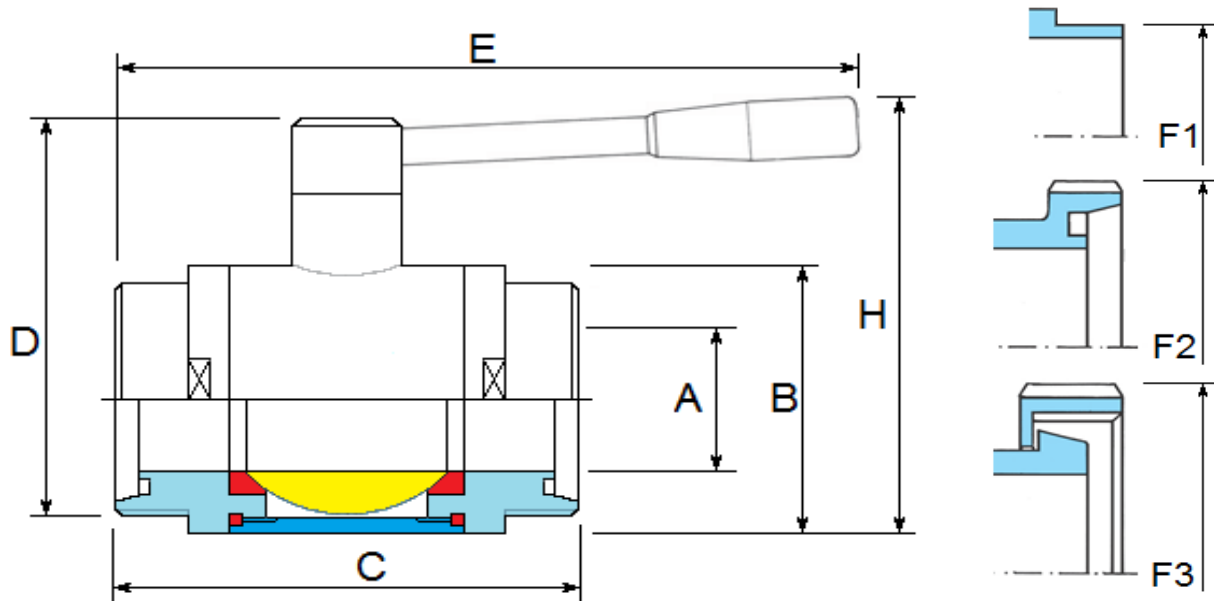


Part	Mat.	Descrizione - Description - Description - Beschreibung
1	Aisi 304/316	Maniglia - Handle - Poignée - Handgriff
2	Aisi 304/316	Perno - Pin - Tige - Zapfen
3	NBR/EPDM/SIL /FKM	O-ring - O-ring - O-ring - O-ring
4	Aisi 304/316	Attacco - Connection - Bout - Verbindung
5	Aisi 304/316	Sfera - Ball - Boule - Kugel
6	Teflon(PTFE)	Guarnizione - Seal ring - Joint - Dichtring
7	NBR/EPDM/SIL /FKM	O-ring - O-ring - O-ring - O-ring
8	Aisi 304/316	Corpo - Body - Corp - Ventil Körper



NORMA	DIN	DIN	DIN	DIN	DIN	DIN	DIN
DN	25	32	40	50	65	80	101
A	25	32	38	48	65	73	98
B	51	63	72,5	88	114	124	160
C	103	124	131	138	170	181	206
F1	28	34	40	52	70	85	101,6
F2	52x1/6" DIN 405	58x1/6" DIN 405	65x1/6" DIN 405	78x1/6" DIN 405	95x1/6" DIN 405	110x1/4" DIN 405	130x1/4" DIN 405
F3	63	70	78	92	112	127	148
D	88	112	121	136	166	177	214
E	172	214	218	226	298	304	373
H	92	114	124	139	188	199	241
PN	20	15	15	15	15	15	10
NORMA	SMS	SMS	SMS	SMS	SMS	SMS	SMS
DN	1"	1½"	2"	2½"	3"	101	104
A	25	38	48	48	73	98	98
B	51	72,5	88	88	124	160	160
C	103	131	138	138	3	206	206
F1	25,4	38,1	50,8	63,5	76,1	101,6	104
F2	40x1/6" DIN 405	60x1/6" DIN 405	70x1/6" DIN 405	85x1/6" DIN 405	98x1/6" DIN 405	132x1/6" DIN 405	125x1/4" DIN 405
F3	51	74	84	100	114	154	140
D	88	121	136	166	177	214	214
E	172	218	226	226	304	373	373
H	92	124	139	139	199	241	241
PN	20	15	15	15	15	10	10

F1 = Attacco a saldare - Welding end - Bout a souder - Schweißende

F2 = Attacco femmina - Male part Connection - Bout fileté - Gewindestutzen

F3 = Att. maschio-girella - Liner-nut Connection - Bout conique-ecrou - Kegel-mutter

**Art. 97A**

**Valv. a sfera 2 vie f.DIN/f.DIN**

Ball valve - male ends

Vanne a boule fil./fil.

Kugelventil - Gew./Gew.



**ART. 106**

**Valvola a sfera 2 vie f.gas/f.gas**

Ball valve - fem./fem gas

Vanne a boule fem/fem gaz

Kugelventil - IG/IG gas



**ART. 98A**

**Valv. a sfera 2 vie m.DIN/f.DIN**

Ball valve - male/female

Vanne a boule d.e./fil.

Kugelventil - KM/gew.



**ART. 108**

**Valvola a sfera 2 vie f.gas/f.DIN**

Ball valve - fem gas/male DIN

Vanne a boule fem gaz/male DIN

Kugelventil - IG gas/AG DIN



**ART. 99A**

**Valvola a sfera 2 vie m.DIN/m.DIN**

Ball valve - female/female

Vanne a boule d.e./d.e.

Kugelventil - KM/KM



**art. 108A**

**Valv. a sfera 2 vie m.gas/f.DIN**

Ball valve - male gas/male DIN

Vanne a boule male gaz/male DIN

Kugelventil - Gew gas/Gew DIN



**ART. 100A**

**Valv. a sfera 2 vie Flangia/f.DIN**

Ball valve - fl./male

Vanne a boule bride/fil.

Kugelventil - fl/Gew



**ART. 260**

**Valv. a sfera 2 vie garolla/garolla**

Ball valve - garolla/garolla

Vanne a boule garolla/garolla

Kugelventil garolla/garolla



**ART. 101**

**Valvola a sfera 2 vie Flangiate**

Ball valve - fl./fl.

Vanne a boule bride/bride

Kugelventil - fl/fl



**ART. 261**

**Valv. a sfera 2 vie f.gas/garolla**

Ball valve - fem gas/garolla

Vanne a boule fem gaz/garolla

Kugelventil - IG gas/garolla



**ART. 107**

**Valv. a sfera 2 vie Flangia/f.gas**

Ball valve - flange/fem. gas

Vanne a boule bride/fem. gaz

Kugelventil - fl./IG gas



**ART. 263**

**valv. sfera 2 vie m.DIN/garolla**

Ball valve - female DIN/garolla

Vanne a boule D.E.DIN/garolla

Kugelventil - KM DIN/garolla



**ART. 262**

**Valv. a sfera 2 vie Flangia/garolla**

Ball valve - flange/garolla

Vanne a boule bride/garolla

Kugelventil - fl./garolla



**art. 264**

**Valv. sfera 2 vie m.gas/garolla**

Ball valve - male gas/garolla

Vanne a boule male gaz/garolla

Kugelventil - AG gas/garolla

