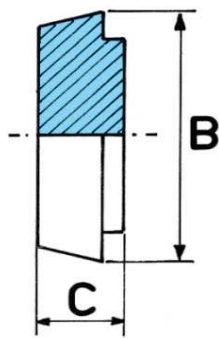


Art. 35

Tappo maschio

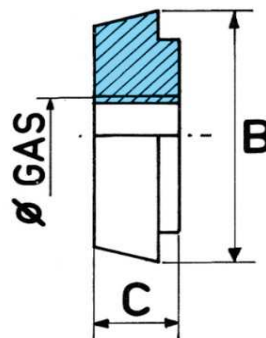
Liner blank
 Fond d'ecrou
 Blindkegel



Art. 36

Tappo maschio con foro filettato gas

Blank liner with BSP female thread
 Fond d'ecrou taraudé gaz
 Blindkegel mit Innengewinde Gas



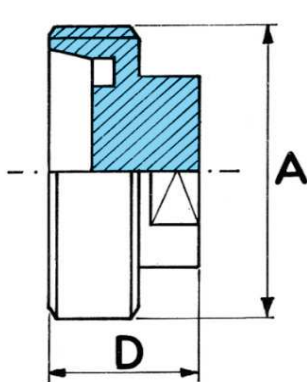
PRODOTTO FORGIATO / FORGED PRODUCT / PRODUIT FORGÉ / SCHMIEDEPRODUKT

DN	10	15	20	25	32	40	50	60	65	80	100	125	150
C	9	9	11	13	13	13	14	15	16	16	20	22	24
B	22	28	36	44	50	56	68	76	86	100	121	150	176
Ø GAS MAX	1/4"	3/8"	1/2"	3/4"	3/4"	1"	1"1/4	1"1/2	2"	2"1/2	3"	4"	4"

Art. 38

Tappo femmina

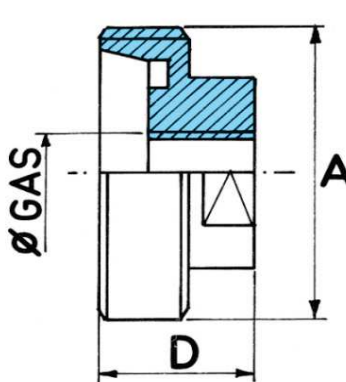
Male part blank
 Obturateur fileté
 Blindgewindestutzen



Art. 38A

Tappo femmina con foro filettato gas

Blank male with female gas thread
 Obturateur fileté taraudé gaz
 Blindgewindestutzen mit Innengewinde gas



PRODOTTO FORGIATO / FORGED PRODUCT / PRODUIT FORGÉ / SCHMIEDEPRODUKT

DN	10	15	20	25	32	40	50	60	65	80	100	125	150
A	28x1/8"	34x1/8"	44x1/6"	52x1/6"	58x1/6"	65x1/6"	78x1/6"	85x1/6"	95x1/6"	110x1/4"	130x1/4"	160x1/4"	190x1/4"
D	20	20	20	20	20	20	20	22	22	28	28	40	55
Ø GAS MAX	1/4"	3/8"	1/2"	3/4"	3/4"	1"	1"1/4	1"1/2	2"	2"1/2	3"	4"	4"