

Part	Mat.	Descrizione - Description - Description - Beschreibung
1	Aisi 304/316	Coperchio - Screw cap - Couvercle - Schraubdeckel
2	Teflon(PTFE)	Guarnizione - Seal ring - Joint - Dichtring
3	NBR/EPDM	O-ring - O-ring - O-ring - O-ring
4	Aisi 304/316	Cono di tenuta - Seal cone - Boisseau - Dichtungskegel
5	NBR/EPDM	O-ring - O-ring - O-ring - O-ring
6	Aisi 304/316	Attacco - Connection - Bout - Verbindung
7	Aisi 304/316	Corpo - Body - Corp - Körper

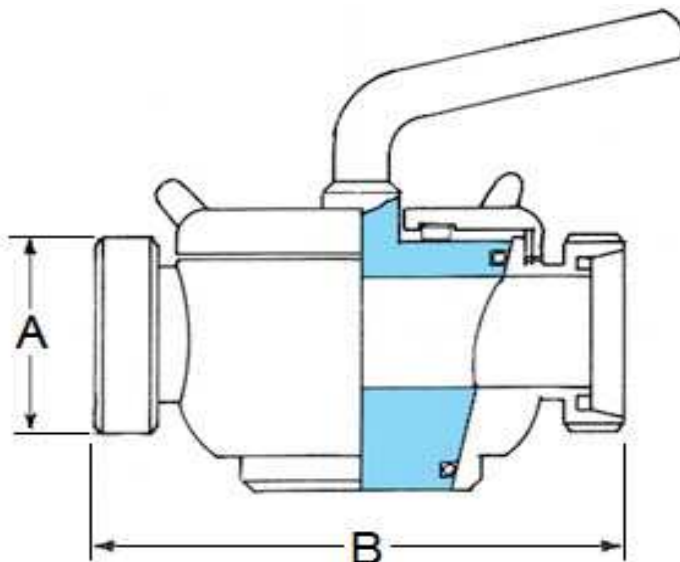
ART. 112

Rubinetto a maschio a due vie F/F DIN

Two way plug cock male/male DIN

Robinet a boisseau 2 voies Fil/Fil DIN

Durchgangskuchenhahn Gew/ Gew DIN



DN	25	32	40	50	65	80
A	52x 1/6"	58x 1/6"	65x 1/6"	78x 1/6"	95x 1/6"	110x 1/4"
B	125	160	160	170	200	230
PN	4	4	4	4	4	4

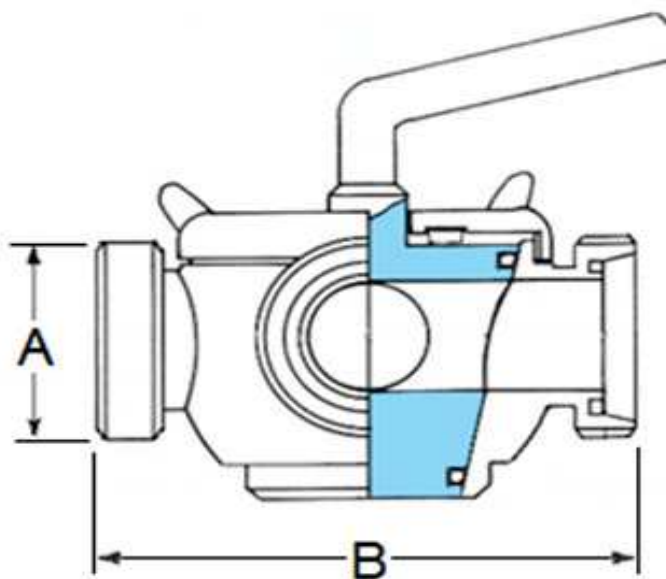
ART. 117

Rubinetto a maschio a tre vie Femmina DIN

Three way plug cock male DIN

Robinet a boisseau 3 voies Fil. DIN

Dreiwegekuchenhahn Gew DIN



DN	25	32	40	50	65	80
A	52x 1/6"	58x 1/6"	65x 1/6"	78x 1/6"	95x 1/6"	110x 1/4"
B	125	160	160	170	200	230
PN	4	4	4	4	4	4